

# Marinelite®

## VHF9000

## Class **A** DSC VHF



The marine Class A VHF has a good intercom communication effect, built-in DSC function, has good waterproof performance, and the waterproof level reaches IP56.

The VHF marine transceiver is compliant with the regulations of ITU-R M.493-15, IMO MSC.302 (87), IMO MSC.1/Circ.1460, IMO MSC.511(105), IEC 60945, IEC 61097-8:1998, IEC 61097-3:2017, IEC 61097-7:2018, IEC 61097-7:2018, IEC 61097-8:2011, IEC 61097-8:2011, IEC 61097-8:2011, IEC 61097-8:2011, IEC 61097-8:2011, IEC 61097-8:2011, IEC 61097-3:2017, IEC 61097-7:2018, IEC 62923-1:2018, IEC 62923-2:2018.

- Dual-watch and Tri-watch Functions;
- Priority channel scan;
- Built-in DSC function, CH70 channel dedicated receiving channel;
- Built-in weather channel to receive weather alerts;
- High and low power optional function;
- Data interface to BAM System/INS
- Knob & touch screen operation
- CERTIFICATED of Marine Product by China Classification Society (CCS).

# Class A VHF Radio with DSC Touch Screen

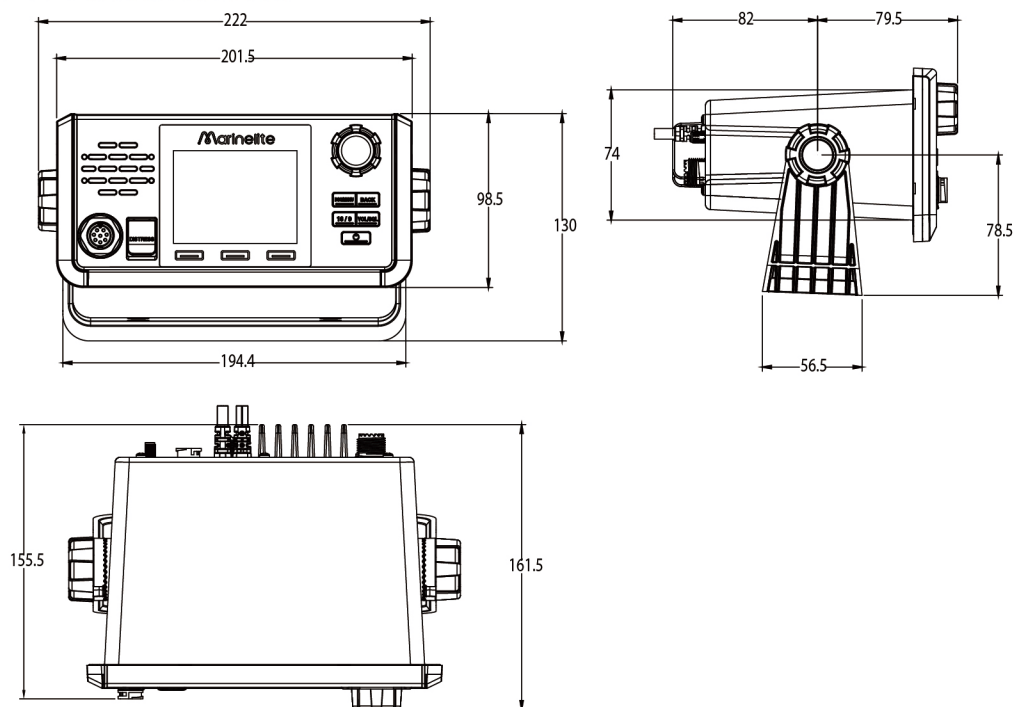
## ■ Specifications

General	
Frequency Range	TX: 156.000~162.000MHz RX: 156.000~163.450MHz
Mode	FM(16K0G3E), DSC(16K0G2B)
Power Supply	DC 24V
Antenna Impedance	50Ω
Size (L × W × H)	W(220)X H(98.5) X (D)161.5mm
Unit Weight	1400g(±2%)
DSC Class	Class A
DSC Receive Sensitivity	≤-111dBm (1%BER)
Waterproof	IP56
Channel Spacing	25kHz

Transmitter		Receiver	
Output Power	25W/1W	Receive Sensitivity	≤-120dBm (12dB SINAD)
Maximum Frequency Offset	±5KHz	Spurious Response	≥70dB
Adjacent Channel Power	≤-70dB	Adjacent Channel Selectivity	≥70dB
Signal To Noise Ratio	≥40dB	Intermodulation Immunity	≥68dB
Current Consumption	High Power≤5.5A Low Power≤1.5A	Audio Output Power	≥4.5W(10%)
Input Impedance	2KΩ (Microphone)	Gps Data Format	NMEA0183-2.0
		Output Impedance	4Ω(Speaker)

→Notice: Specifications may be subject to change without notice.

## ■ Dimensions



NANTONG SAIYANG ELECTRONICS CO.,LTD.

South Floor 4/5, Building 3, Building 3, Maipu Technology Park, Xinsheng Road, Chongchuan District, Nantong City, Jiangsu Province



TEL: (+86)0513-89129287/89129288  
FAX: (+86) 0513-81105383  
EMAIL: Saiyang@ova.com.cn  
http://www.ova.com.cn

